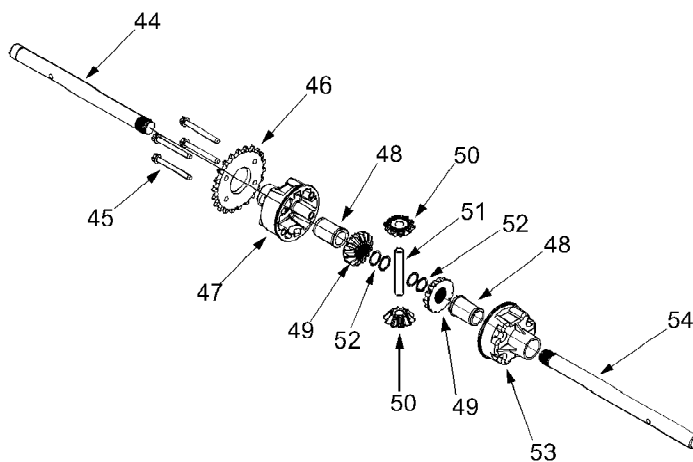
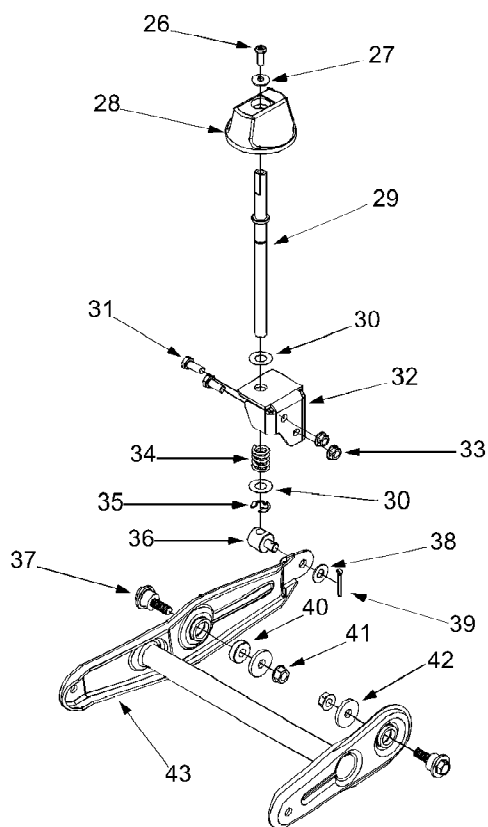
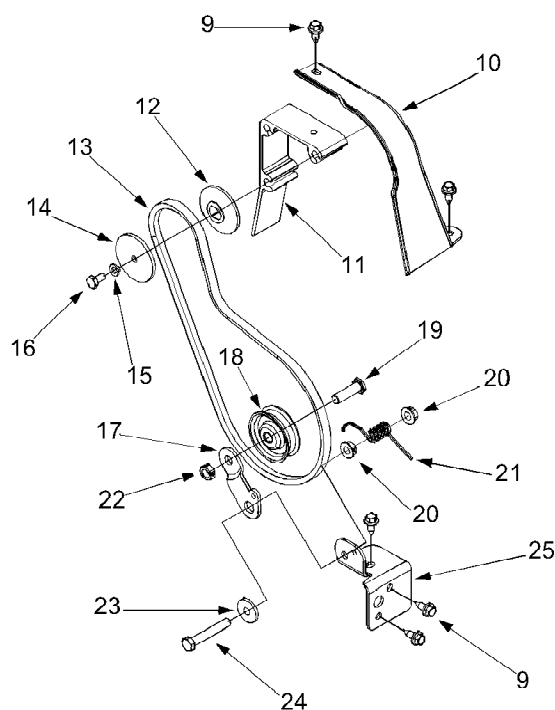
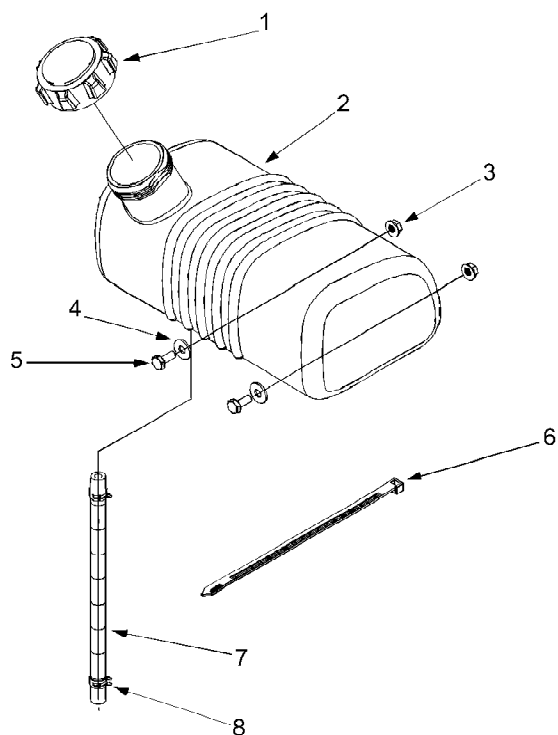


| Ref # | Part Number | Qty | S/P/F | Description                     |
|-------|-------------|-----|-------|---------------------------------|
| 1     | 618-0168    | 1   |       | Transmission Assembly           |
| 2     | 750-0981    | 1   |       | Spacer .782 ID x 1.0 OD         |
| 3     | 710-3008    | 1   | /P    | Hex Cap Screw 5/16-18 x .75     |
| 4     | 681-0058    | 1   | /P    | Axle Bracket Assembly           |
| 5     | 736-0287    | 1   | S     | Flat Washer .793 ID x 1.24 OD   |
| 6     | 750-0980    | 1   |       | Spacer .782 ID x 1.0 OD         |
| 7     | 681-0081    | 1   |       | Frame Assembly                  |
| 8     | 741-0563    | 1   | S     | Ball Bearing                    |
| 9     | 736-0119    | 1   | S     | Lock Washer 5/16                |
| 10    | 736-3089    | 1   | /P    | Flat Washer .312 ID x .934 OD   |
| 11    | 712-3004A   | 1   | /P    | Flange Lock Nut 5/16-18         |
| 12    | 656-0012A   | 1   | S     | Friction Disc Assembly          |
| 13    | 736-0160    | 1   | S     | Flat Washer .53 ID x .93 OD     |
| 14    | 714-0111    | 1   | S     | Cotter Pin                      |
| 15    | 748-0382    | 1   |       | Spacer .508 ID x .75 OD         |
| 16    | 732-0209    | 1   | S     | Extension Spring .48 OD x 2.03  |
| 17    | 712-0711    | 1   | /P    | Jam Nut 3/8-24                  |
| 18    | 736-0105    | 1   | /P    | Spring Washer .401 ID x .870 OD |
| 19    | 750-0998    | 1   |       | Spacer .675 ID x 1.0 OD         |
| 20    | 713-0284    | 1   |       | Chain #41 36 Links              |
| 21    | 713-0413    | 1   |       | Sprocket 10T #41                |
| 22    | 711-1073    | 1   |       | Hex Shaft .875                  |
| 23    | 684-0042B   | 1   | S     | Friction Wheel Assembly         |
| 24    | 716-0102    | 1   | S     | Snap Ring 1.0 Dia.              |
| 25    | 781-0612A   | 1   |       | Bottom Frame Cover              |
| 26    | 710-0896    | 1   | /P    | Hex Washer Screw 1/4-14 x .625  |
| 27    | 710-0653    | 1   | /P    | Hex Washer Screw 1/4-20 x .375  |
| 28    | 784-5590    | 1   |       | Frame Shift Bracket             |
| 29    | 681-0082    | 1   |       | Shift Shaft Assembly            |
| 30    | 681-0072    | 1   |       | Shift Assembly                  |
| 31    | 738-0908    | 1   |       | Idler Bolt 5/16-18 x 2.25       |
| 32    | 710-0502A   | 1   | /P    | Hex Washer Screw 3/8-16 x 1.25  |
| 33    | 781-0638A   | 1   | /P    | Frame Reinforcement Plate       |
| 34    | 710-0788    | 1   | /P    | Hex Washer Screw 1/4-20 x 1.0   |
| 35    | 736-0105    | 1   | /P    | Spring Washer .401 ID x .870 OD |
| 36    | 712-0241    | 1   | /P    | Hex Nut 3/8-24                  |
| 37    | 750-0979    | 1   |       | Spacer .407 ID x .625 OD        |
| 38    | 736-0267    | 1   | S     | Flat Washer .375 ID x .870 OD   |
| 39    | 713-0330    | 1   |       | Sprocket Assembly 9T & 22T      |
| 40    | 750-0351    | 1   |       | Sleeve .380 ID x .623 OD x 1.5  |
| 41    | 713-0374    | 1   | /P    | Chain #420 36L                  |
| 42    | 750-0978    | 1   |       | Spacer .407 ID x .625 OD x 7.86 |
| 43    | 711-1028    | 1   |       | Jack Shaft .375 x 11.40         |
| 44    | 681-0055    | 1   | S     | Friction Wheel Support Bracket  |



24A-315C190 YB-950 (2002)  
Drive & Fuel Tank

Page 4 of 9

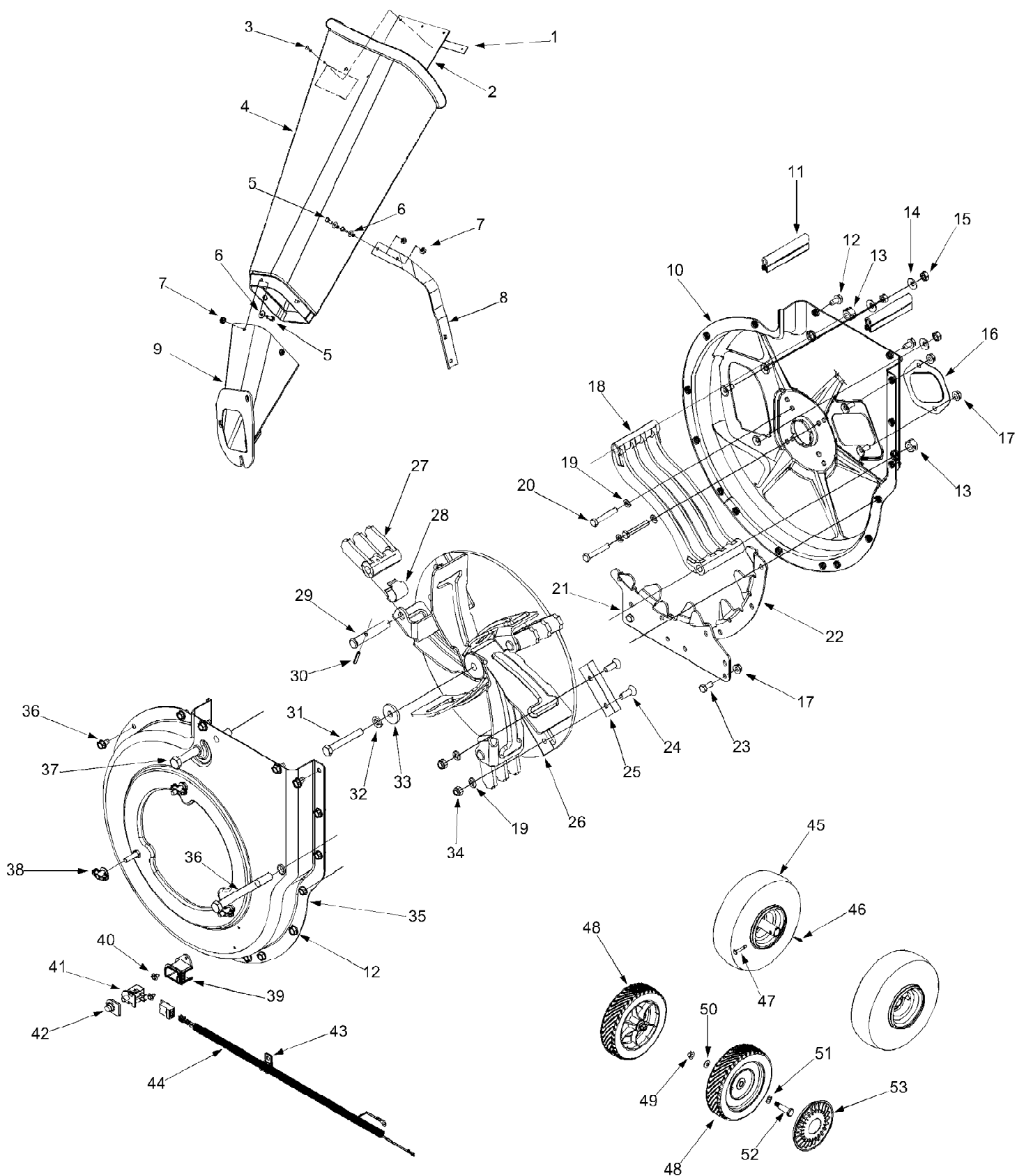
| Ref # | Part Number | Qty | S/P/F | Description                          |
|-------|-------------|-----|-------|--------------------------------------|
| 1     | 751-0603    | 1   | S     | Fuel Cap                             |
| 2     | 751-0610    | 1   |       | Gas Tank - 1 Gallon                  |
| 3     | 712-3027    | 1   | S     | Hex Lock Nut 1/4-20                  |
| 4     | 736-0173    | 1   | /P    | Flat Washer .28 ID x .74 OD          |
| 5     | 710-0751    | 1   | /P    | Hex Cap Screw 1/4-20 x .620          |
| 6     | 726-0209    | 1   | /P    | Cable Tie                            |
| 7     | 751-0535    | 1   |       | Fuel Line                            |
| 8     | 726-0205    | 1   | /P    | Hose Clamp                           |
| 9     | 710-0896    | 1   | /P    | Hex Washer Screw 1/4-14 x .625       |
| 10    | 731-1584    | 1   | /P    | Belt Cover                           |
| 11    | 719-0330A   | 1   | /P    | Engine Mounting Adapter              |
| 12    | 756-0987    | 1   | S     | Pulley Half                          |
| 13    | 754-0256    | 1   | S     | V-Belt                               |
| 14    | 756-0986    | 1   |       | Pulley Half                          |
| 15    | 736-0329    | 1   | S     | Lock Washer 1/4                      |
| 16    | 710-0230    | 1   | /P    | Hex Cap Screw 1/4-28 x .50           |
| 17    | 781-0614    | 1   |       | Idler Bracket                        |
| 18    | 756-0313    | 1   | /P    | Flat Idler                           |
| 19    | 710-0723    | 1   | /P    | Hex Cap Screw 3/8-16 x 1.25          |
| 20    | 712-3004A   | 1   | /P    | Hex Lock Nut 5/16-18                 |
| 21    | 732-0745    | 1   |       | Torsion Spring                       |
| 22    | 712-0266    | 1   | S     | Lock Nut 3/8-16                      |
| 23    | 748-0234    | 1   | /P    | Shoulder Spacer                      |
| 24    | 710-0646    | 1   | S     | Hex Cap Screw 5/16-18 x 2.0          |
| 25    | 781-0611    | 1   |       | Idler Pivot Bracket                  |
| 26    | 710-0924    | 1   | /P    | Machine Screw 1/4-20 x .75           |
| 27    | 736-0270    | 1   | /P    | Bell Washer .265 ID x .75 OD         |
| 28    | 720-0236    | 1   | S     | Knob                                 |
| 29    | 747-0361    | 1   |       | Height Adjustment Rod                |
| 30    | 736-0369    | 1   | S     | Flat Washer .508 ID x 1.0 OD         |
| 31    | 710-3008    | 1   | /P    | Hex Cap Screw 5/16-18 x .75          |
| 32    | 781-0605    | 1   | S     | Height Adjustment Bracket            |
| 33    | 712-3004A   | 1   | /P    | Hex Lock Nut 5/16-18                 |
| 34    | 732-0645    | 1   | S     | Compression Spring                   |
| 35    | 716-0104    | 1   | S     | E Ring                               |
| 36    | 711-1041    | 1   |       | Adjustment Ferrule                   |
| 37    | 738-0955    | 1   |       | Shoulder Screw 3/8-16                |
| 38    | 736-0300    | 1   | S     | Flat Washer .406 ID x .875 OD        |
| 39    | 714-0115    | 1   | S     | Cotter Pin                           |
| 40    | 711-0242    | 1   | S     | Spacer                               |
| 41    | 712-0431    | 1   | S     | Flange Lock Nut 3/8-16               |
| 42    | 736-0247    | 1   | /P    | Flat Washer .375 ID x 1.25 OD        |
| 43    | 681-0096    | 1   |       | Pivot Wheel Bracket Assembly         |
| 44    | 711-1038    | 1   |       | Axle Shaft .750 x 9.8                |
| 45    | 710-1206    | 1   | /P    | Hex Washer Screw 1/4-20 x 2.375      |
| 46    | 713-0445    | 1   |       | Sprocket 22T                         |
| 47    | 719-0334    | 1   |       | Differential Housing LH              |
| 48    | 748-0383    | 1   | S     | Flange Bearing .75 ID x 1.0 OD x 1.5 |
| 49    | 717-1358    | 1   |       | Differential Gear 14T                |
| 50    | 717-1437    | 1   |       | Differential Gear 10T                |
| 51    | 711-1035    | 1   |       | Cross Shaft .427 x 2.7               |
| 52    | 716-0232    | 1   |       | Retaining Ring                       |
| 53    | 719-0333    | 1   |       | Differential Housing RH              |

24A-315C190 YB-950 (2002)  
Drive & Fuel Tank

---

| Ref # | Part Number | Qty | S/P/F | Description              |
|-------|-------------|-----|-------|--------------------------|
| 54    | 711-1037    | 1   |       | Axle Shaft .750 x 10.954 |

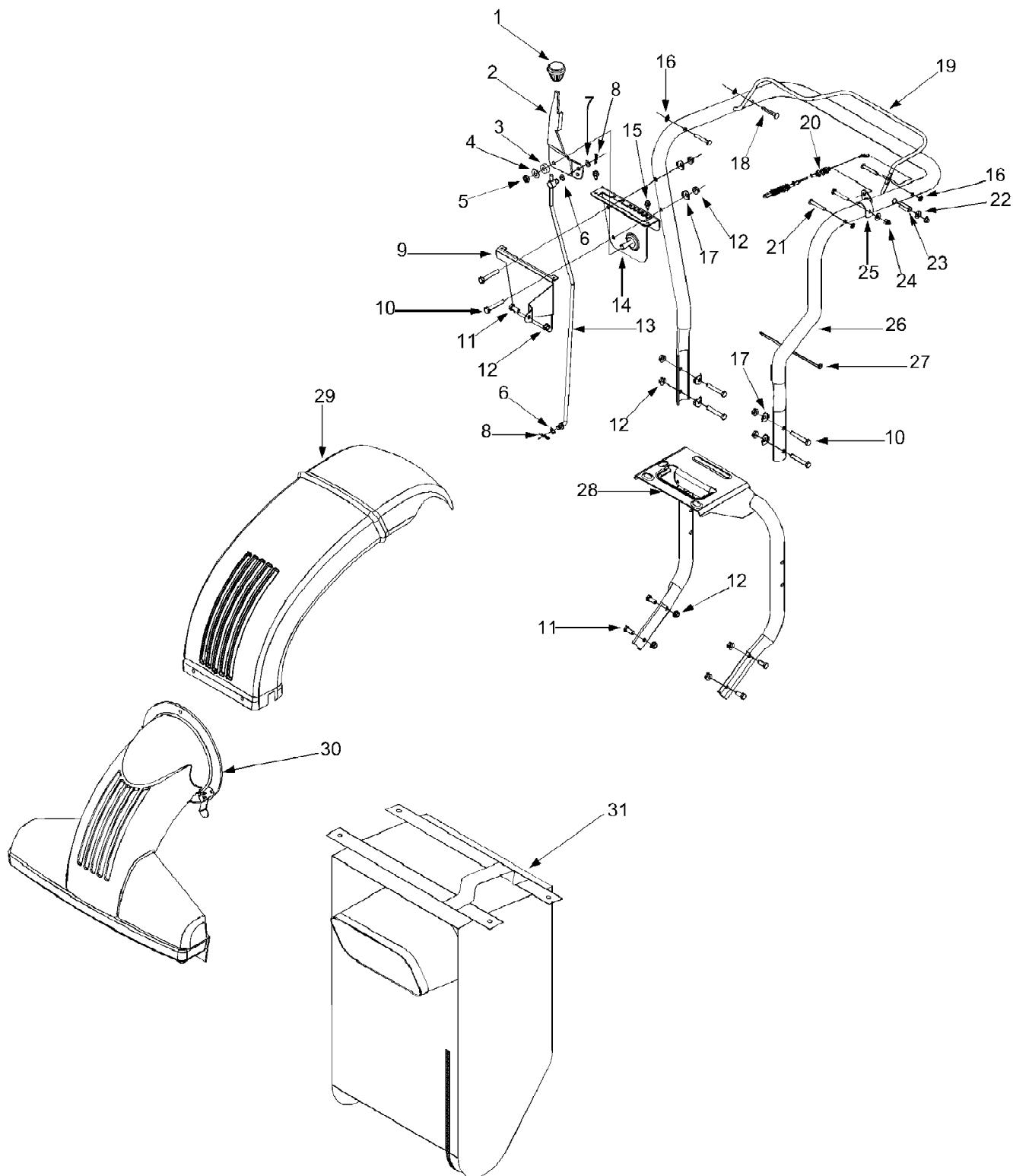
---



24A-315C190 YB-950 (2002)  
General Assembly

Page 7 of 9

| Ref # | Part Number | Qty | S/P/F | Description                    |
|-------|-------------|-----|-------|--------------------------------|
| 1     | 781-0633    | 1   |       | Chute Flap Strip               |
| 2     | 735-0249    | 1   | S     | Chute Flap                     |
| 3     | 728-0175    | 1   |       | Pop Rivet                      |
| 4     | 731-1574    | 1   | S     | Chipper Chute                  |
| 5     | 710-0751    | 1   | /P    | Hex Cap Screw 1/4-20 x .620    |
| 6     | 736-0173    | 1   | /P    | Flat Washer .28 ID x .74 OD    |
| 7     | 712-3027    | 1   | S     | Hex Lock Nut 1/4-20            |
| 8     | 781-0625    | 1   |       | Support Bracket                |
| 9     | 681-0068A   | 1   | /P    | Chipper Chute Assembly         |
| 10    | 681-0059    | 1   |       | Inner Housing Assembly         |
| 11    | 723-0438    | 1   |       | Rubber Seal                    |
| 12    | 710-0604    | 1   | S     | Hex Washer Screw 5/16-18 x .60 |
| 13    | 712-0384    | 1   | S     | Hex Lock Nut 1/2-13            |
| 14    | 736-0242    | 1   | /P    | Bell Washer .345 ID x .88 OD   |
| 15    | 712-3010    | 1   | S     | Hex Nut 5/16-18                |
| 16    | 781-0627    | 1   |       | Chipper Blade Cover            |
| 17    | 712-3004A   | 1   | /P    | Hex Lock Nut 5/16-18           |
| 18    | 719-0326    | 1   |       | Flail Screen                   |
| 19    | 736-0119    | 1   | S     | Lock Washer 5/16               |
| 20    | 710-0772    | 1   | /P    | Hex Cap Screw 5/16-24 x 2.0    |
| 21    | 781-0598    | 1   | S     | Lower Shredder Blade           |
| 22    | 781-0599    | 1   | S     | Upper Shredder Blade           |
| 23    | 710-3008    | 1   | /P    | Hex Cap Screw 5/16-18 x .75    |
| 24    | 710-1054    | 1   | /P    | Hex Cap Screw 5/16-24 x 1.0    |
| 25    | 781-0544    | 1   |       | Chipper Blade                  |
| 26    | 681-0078    | 1   | S     | Impeller Assembly              |
| 27    | 719-0329    | 1   |       | Flail Blade                    |
| 28    | 781-0735    | 1   |       | Pin Clip                       |
| 29    | 711-0833B   | 1   | S     | Clevis Pin                     |
| 30    | 715-0166    | 1   |       | Pin                            |
| 31    | 710-1273    | 1   |       | Hex Cap Screw 3/8-24 x 2.75    |
| 32    | 736-0217    | 1   | S     | Lock Washer 3/8                |
| 33    | 736-0247    | 1   | /P    | Flat Washer 3/8 x 1.25         |
| 34    | 712-0411    | 1   | S     | Hex Lock Nut 5/16-24           |
| 35    | 681-0060    | 1   | /P    | Outer Housing Assembly         |
| 36    | 710-0607    | 1   | /P    | Hex Washer Screw 5/16-18       |
| 37    | 710-0382    | 1   |       | Hex Cap Screw 1/2-13 x 5.0     |
| 38    | 712-0421    | 1   |       | Knob 5/16-18 x .70             |
| 39    | 731-1613    | 1   | S     | Safety Switch Mounting Cover   |
| 40    | 710-1268    | 1   | /P    | Hex Washer Screw #10-16 x .30  |
| 41    | 725-3166    | 1   | S     | Snap Mount Switch              |
| 42    | 725-1700    | 1   | S     | Switch Cover                   |
| 43    | 726-0272    | 1   | /P    | Clamp                          |
| 44    | 629-0241    | 1   |       | Wire Harness                   |
| 45    | 634-0100    | 1   |       | Wheel Assembly 10 x 4.0        |
| 46    | 714-0104    | 1   | S     | Cotter Pin                     |
| 47    | 711-1017    | 1   | /P    | Clevis Pin                     |
| 48    | 734-1513B   | 1   | S     | Wheel Assembly 8 x 2.0         |
| 49    | 712-0431    | 1   | S     | Hex Lock Nut 3/8-16            |
| 50    | 736-0105    | 1   | /P    | Bell Washer .401 ID x .870 OD  |
| 51    | 736-0232    | 1   | S     | Wave Washer .53 ID x .78 OD    |
| 52    | 738-0213    | 1   | /P    | Shoulder Bolt                  |
| 53    | 731-0982A   | 1   |       | Shoulder Bolt                  |





24A-315C190 YB-950 (2002)  
Handle, Nozzle & Bag

Page 9 of 9

| Ref # | Part Number | Qty | S/P/F | Description                      |
|-------|-------------|-----|-------|----------------------------------|
| 1     | 720-0232    | 1   | S     | Shift Knob                       |
| 2     | 784-0297A   | 1   | /P    | Shift Lever                      |
| 3     | 735-0126    | 1   | S     | Rubber Washer                    |
| 4     | 736-0300    | 1   | S     | Flat Washer                      |
| 5     | 712-0116    | 1   | S     | Lock Nut 3/8-24                  |
| 6     | 736-0413    | 1   | /P    | Spring Washer                    |
| 7     | 736-0117    | 1   | S     | Flat Washer .375 ID x .620 OD    |
| 8     | 714-0104    | 1   | S     | Cotter Pin                       |
| 9     | 781-0626    | 1   |       | Shift Cover                      |
| 10    | 710-3103    | 1   | /P    | Hex Cap Screw 5/16-18 x 2.0      |
| 11    | 710-3008    | 1   | /P    | Hex Cap Screw 5/16-18 x .75      |
| 12    | 712-3004A   | 1   | /P    | Flange Lock Nut 5/16-18          |
| 13    | 747-0626    | 1   |       | Shift Rod                        |
| 14    | 681-0076    | 1   |       | Shift Bracket Assembly           |
| 15    | 710-0896    | 1   | /P    | Hex Washer Screw 1/4-14 x .625   |
| 16    | 1539-019    | 1   |       | Push Nut .250                    |
| 17    | 736-0451    | 1   | S     | Shoulder Washer .320 ID x .93 OD |
| 18    | 711-0737    | 1   | S     | Pin .250 x 1.75                  |
| 19    | 747-1133    | 1   |       | Drive Clutch Handle              |
| 20    | 746-1080    | 1   |       | Clutch Cable                     |
| 21    | 710-0136    | 1   | /P    | Hex Cap Screw 1/4-20 x 1.75      |
| 22    | 736-0275    | 1   | S     | Flat Washer 5/16                 |
| 23    | 750-1185    | 1   |       | Spacer .345 ID x .51 OD          |
| 24    | 712-0442    | 1   | S     | Lock Nut 1/4-20                  |
| 25    | 781-0157    | 1   | S     | Cable Mounting Bracket           |
| 26    | 749-1083    | 1   |       | Upper Handle                     |
| 27    | 725-0157    | 1   | /P    | Cable Tie                        |
| 28    | 649-0012    | 1   |       | Lower Handle                     |
| 29    | 731-1573    | 1   |       | Discharge Chute                  |
| 30    | 631-0028    | 1   | S     | Nozzle Assembly                  |
| 31    | 764-0472    | 1   | S     | Vacuum Bag                       |